

GBLT Bar Latch

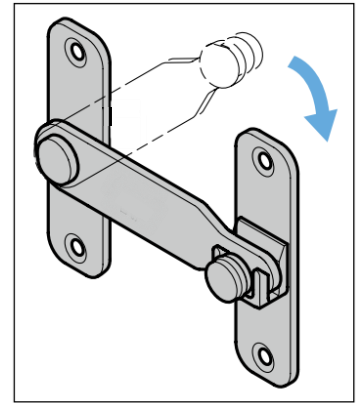
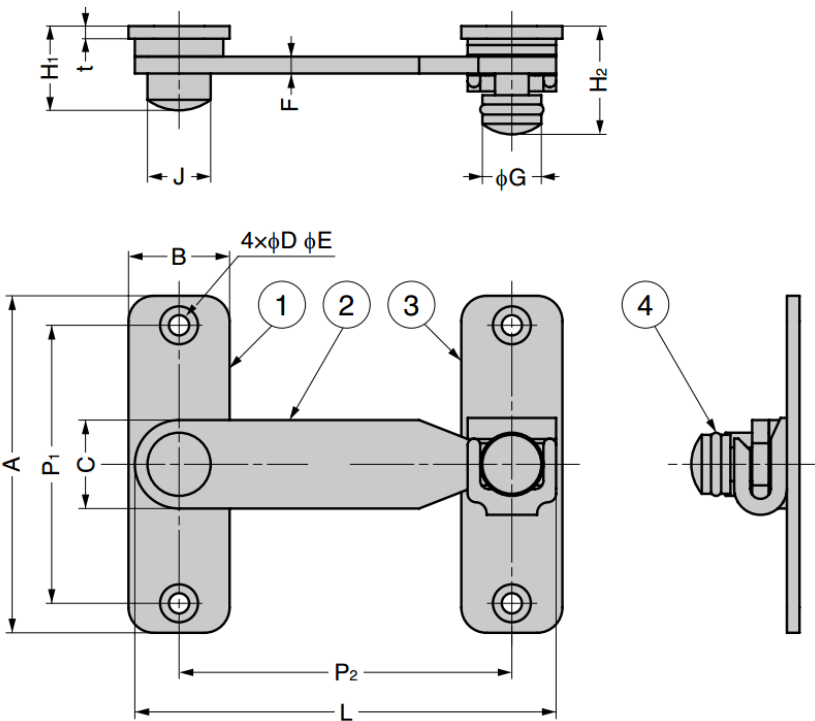
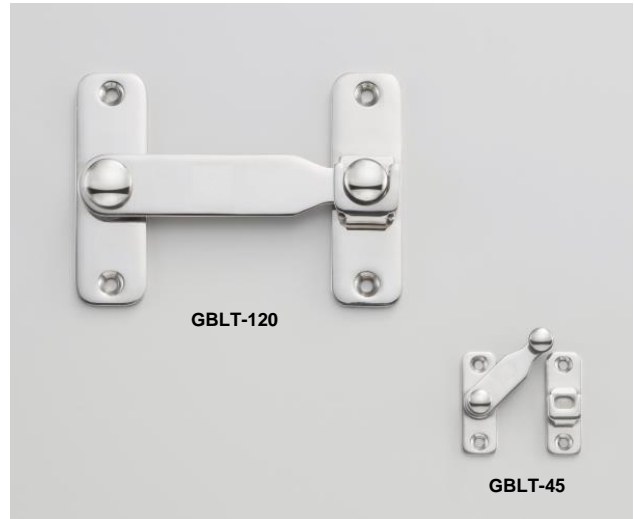
Features

- Thick material used for durability
- With thumb screw on bar to prevent accidental release

Parts Included

- Countersunk head wood screw (SUS)

No.	Part Name	Material	Finish / Colour
①	Body	Stainless Steel (SUS304)	Polished
②	Latch Bolt		
③	Counter Plate		
④	O-ring	Nitrile Rubber (NBR)	Black



Part No.	L	P ₁	P ₂	A	B	C	D	E	F	G	H ₁	H ₂	J	t	Screws
GBLT-45	45	30	33	40	14	12	3.5	6	2	9	12	16	9	2	3.1 x 20
GBLT-60	60	37	45	48	17	15	3.8	7.5	2.5	10	14.5	17.5	10.8		
GBLT-80	80	53	62	65	21	18	4.3	8	3	12	17	22	13	3	3.5 x 20
GBLT-100	100	66	79	80	24	21	4.8	9	4	14	19.8	25.5	15		3.8 x 20
GBLT-120	120	73	98	90	28	24	5.1	10		16	22	27.5	18.5	4	4.5 x 20